



1.5" x 2.75" Nail On Safety Plate



Applications

These safety plates protect essential wiring against accidental damage, and are suitable for residential or commercial installations.

Description / Specifications

Designed to be easily hammered in place, these safety plates are composed of flat 16 gauge steel, and do not require any additional hardware for installation. Simply nail the safety plate on to a stud or joist where the wire pass-through is located.

Ordering Information

Description	
1.5" x 2.75" Nail On Safety Plate	
Item Number	Packaging
XSFPL-05031	Box of 100

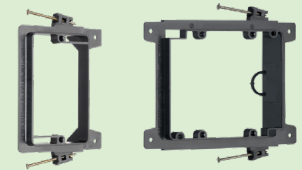
Features & Benefits

- Suitable for residential or commercial installations
- Protects against accidental damage
- Material: Flat 16 gauge steel
- Dimensions: 2.75" x 1.50"
- Packaging: Box of 100

Related Products

Nail On Mounting Bracket

Item No. XFPMB-05029 Single
Item No. XFPMB-05030 Dual



Single Gang Keystone Faceplate With Labels, White

Item No. FP2WH1VL 1 Port*
Item No. FP2WH2VL 2 Port
Item No. FP2WH3VL 3 Port
Item No. FP2WH4VL 4 Port
Item No. FP2WH6VL 6 Port



* Pictured

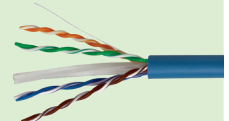
Cable Caddy

Item No. CBLCD-04708



VGC™ Cat 6 U/UTP Solid Riser CMR Cable, 1000 FT Pull Box

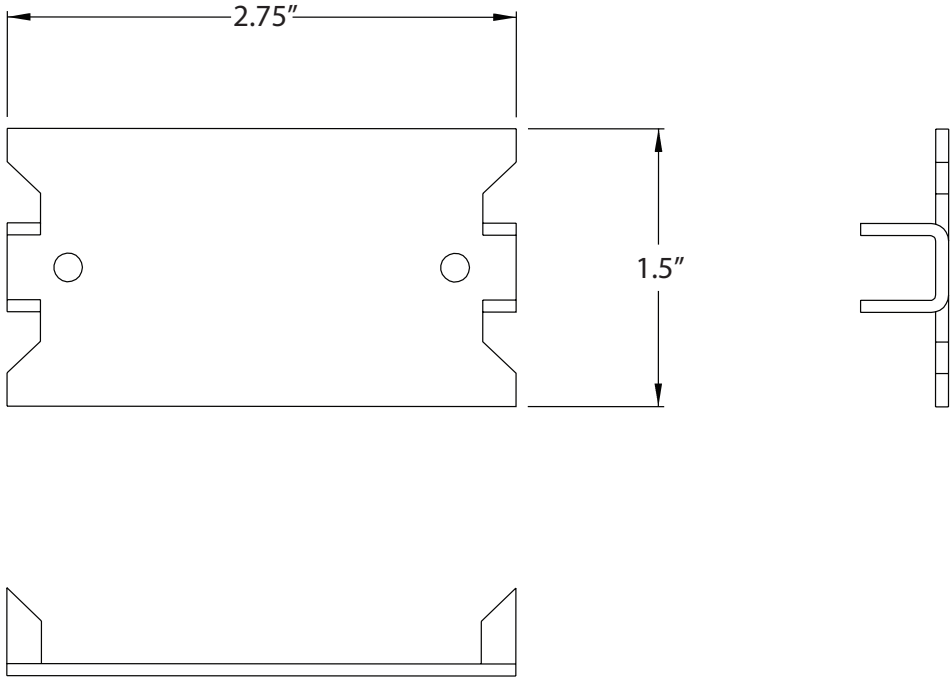
Item No. MBW6U-03667 Black
Item No. MBW6U-00934 Blue
Item No. MBW6U-01623 Gray
Item No. MBW6U-03628 Green
Item No. MBW6U-04702 Orange
Item No. MBW6U-04481 Red
Item No. MBW6U-01444 White
Item No. MBW6U-01445 Yellow





1.5" x 2.75" Nail On Safety Plate

Technical Drawing



REV.20211221.2

TECHNICAL SHEETS ARE SUBJECT TO CHANGE WITHOUT NOTICE.