



0.5" Weather Sealing Rings



Features & Benefits

- Composed of UV resistant, weather resistant rubber material
- Weather Resistant
- Compatible with Vericom WBF81-03562 and BRF81-03653
- Bulk packaged in bags of 100

Construction

Material: Ethylene Propylene Diene Monomer (EPDM) Rubber
Product Dimensions (ea): 0.60" x 0.5" (15.17 mm x 12.89 mm)
Product Weight (ea): 1.4 grams

Standards Compliance

- ASTM Standard D-1418 - M-Class

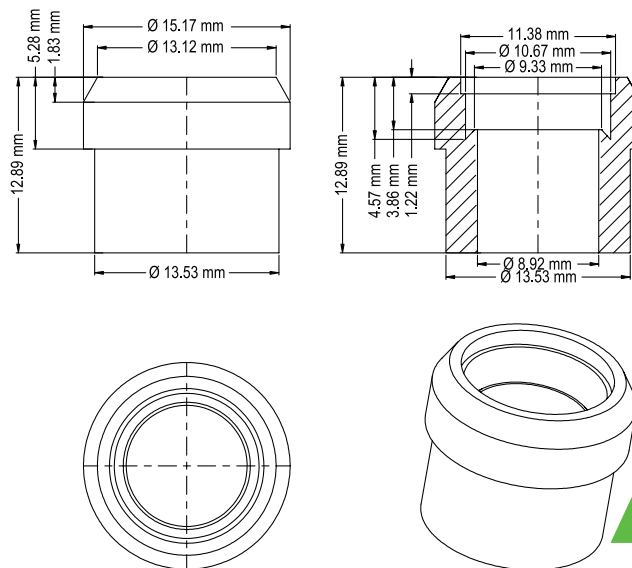
Applications

The Vericom weather sealing rings help protect the threaded area of outdoor connection points on F-81 coax equipment such as: coax splitters, F-81 barrel connectors, F-81 connectors and coax ground blocks.

Description / Specifications

These 0.5" weather sealing rings sit tightly around a female F-81 post and the opposite end fits tightly around the smooth area of an F connector nut. Threaded connection points are protected from moisture and movement without sacrificing product performance.

Technical Illustration



Ordering Information

Description	
0.5" Weather Sealing Rings	
Item No.	Packaging
BRWSR-04865	Bulk (100 Per Bag)