



Universal Full Motion Wall Mount for 32" - 55" TVs



Construction

- Product Material:** Steel
- Surface Finish:** Powder Coating
- Color:** Black
- Integrated Cable Management:** No
- Integrated Bubble Level:** No

Physical

- Weight Capacity:** 110 lbs (50 kgs)
- Back Plate Dimensions:** 18.9" x 8" (480mm x 204mm)
- Tilt Angle:** -20° to +10°
- Swivel:** ±90°
- Rotation:** ±3°
- Profile to Wall:** 2.4" - 18.7" (62mm - 475mm)
- Installation Requirements:** Solid Wall, Double Stud

Applications

This universal full motion wall mount is ideal for indoor, commercial or residential 32" - 55" TVs in situations where you want to mount your flat panel or curved TV to the wall, while still allowing for maximum TV viewing flexibility.

Description / Specifications

This full motion wall mount fits most 32" - 55" flat panel or curved TVs and supports up to 110 lbs. This TV mount includes installation instructions, a bubble level, and mounting hardware.

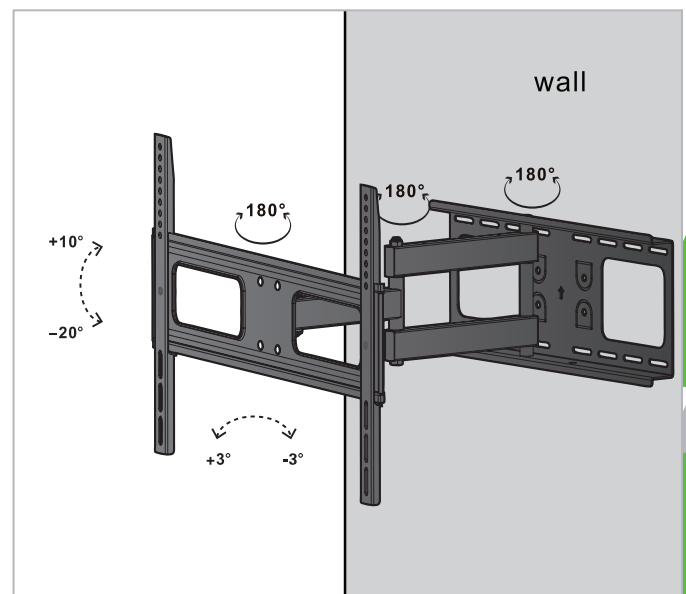
Features & Benefits

- Fits most 32" to 55" TVs
- Allows TV to be adjusted, tilted, and swiveled for maximum flexibility
- Motion: Full Motion
- Simple to install
- TV mounting hardware & bubble level included
- Limited 10 Year Warranty

VESA Compliance (Mounting Pattern)

- 200 x 200
- 300 x 300
- 400 x 200
- 400 x 400

Technical Illustration



Description	
Universal Full Motion Wall Mount for 32" - 55" TVs	
Item Number	Motion
VMF55-04304	Full Motion