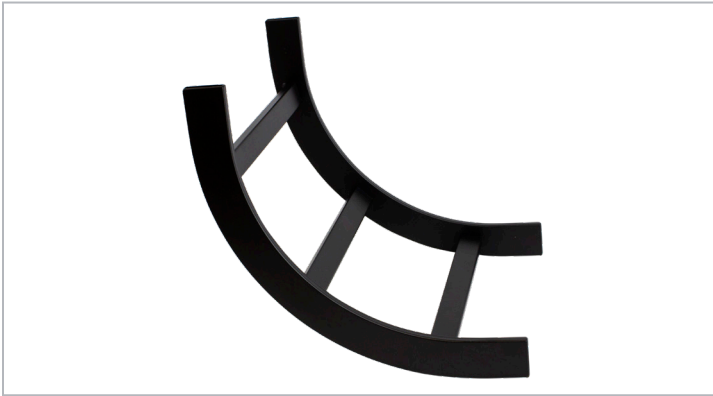




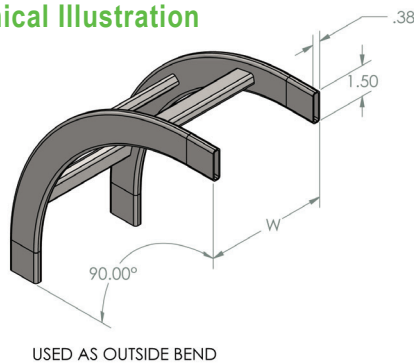
Universal Radius Bend Ladder



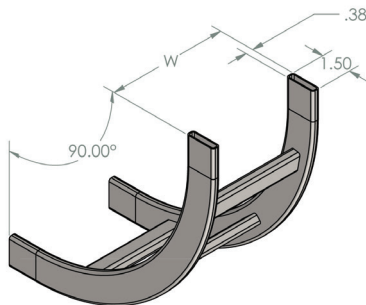
Description

This ladder can be used to change vertical cable runs to a horizontal direction or vice versa and functions as an inside bend or an outside bend for versatility. Our universal radius bend ladder is comprised of wall tubular steel. Designed to conform with minimum cable bend radius requirements, this ladder is RoHS Compliant and conforms to EIA-310 standards.

Technical Illustration



USED AS OUTSIDE BEND



USED AS INSIDE BEND

TECHNICAL SHEETS ARE SUBJECT TO CHANGE WITHOUT NOTICE.

Product Specifications

Product Type: Universal Radius Bend Ladder

Product Material (Sides): 1-1/2 x 3/8 x 0.06 thick tubular steel

Product Material (Rungs): 1 x 1/2 x 0.06 thick tubular steel

Product Color: Black (Additional Colors Available Through Special Order)

Compliance & Standards: RoHS Compliant and Conforms to EIA-310 Standards

Ordering Information

Description	
Universal Radius Bend Ladder	
Item #	Width
VLR-12UVR	12"

REV.20200316.2