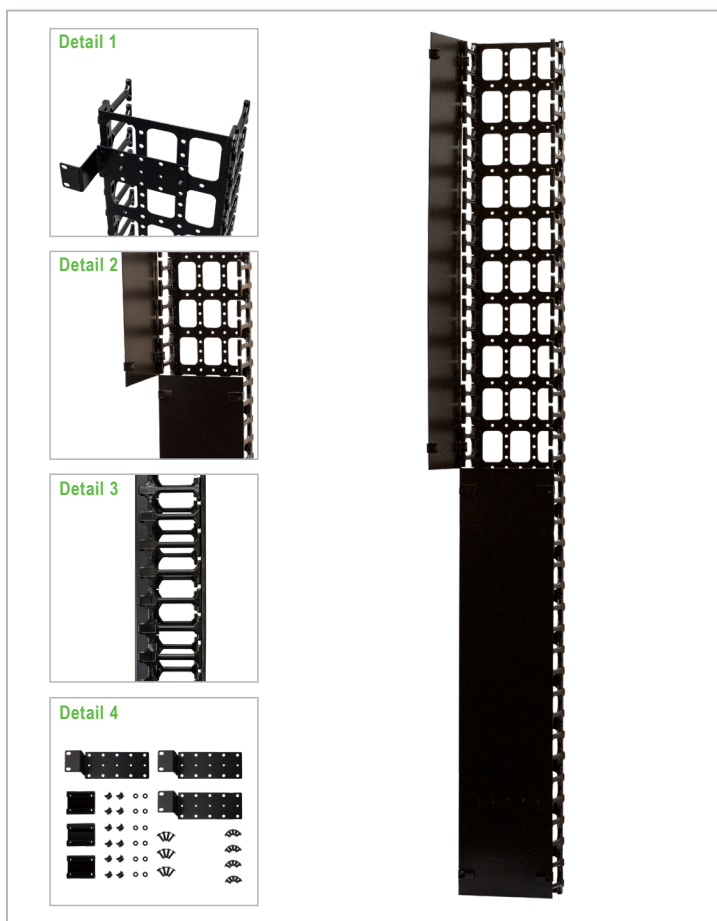




Vertical Finger Duct Cable Manager



Description

The Vertical Finger Duct Cable Manager provides security and structure for routing cables vertically inside a network cabinet or along an open frame rack. The molded plastic fingers feature smooth, rounded edges that won't snag or bind cables, while the split hinged covers provide easy access for routing and organizing cables.

Product Specifications

- Product Type:** Vertical Finger Duct Cable Manager
- Base Material:** Steel
- Finger Duct Material:** Plastic
- No. of Removable Covers:** 2
- Cover Material:** Steel
- Dimensions (HxWxD):** Varies By Item Number
- Rack Unit Quantity:** Varies By Item Number
- Cable Capacity:** See Chart Below
- Cable Pass-Through Openings:** Yes
- Mounting Hardware:** Included
- Quantity Per Package:** 1 (Sold Individually)

Ordering Information

Item #	Rack Units	Dimensions (HxWxD)	Cable Capacity <small>(Based on a 50% Fill Rate)</small>			
			Fiber	CAT5e	CAT6	CAT6A
RAMVF42	42U	70.0" x 3.8" x 4.5"	493	192	123	66
RAMVF426	42U	70.0" x 6.0" x 4.5"	1,008	393	252	135
RAMVF428	42U	70.0" x 8.0" x 4.5"	1,351	527	338	180
RAMVF45	45U	73.5" x 3.8" x 4.5"	493	192	123	66
RAMVF456	45U	73.5" x 6.0" x 4.5"	1,008	393	252	135
RAMVF458	45U	73.5" x 8.0" x 4.5"	1,351	527	338	180
RAMVF48	48U	80.5" x 3.8" x 4.5"	493	192	123	66
RAMVF486	48U	80.5" x 6.0" x 4.5"	1,008	393	252	135
RAMVF488	48U	80.5" x 8.0" x 4.5"	1,351	527	338	180
RAMVF52	52U	87.5" x 3.8" x 4.5"	493	192	123	66

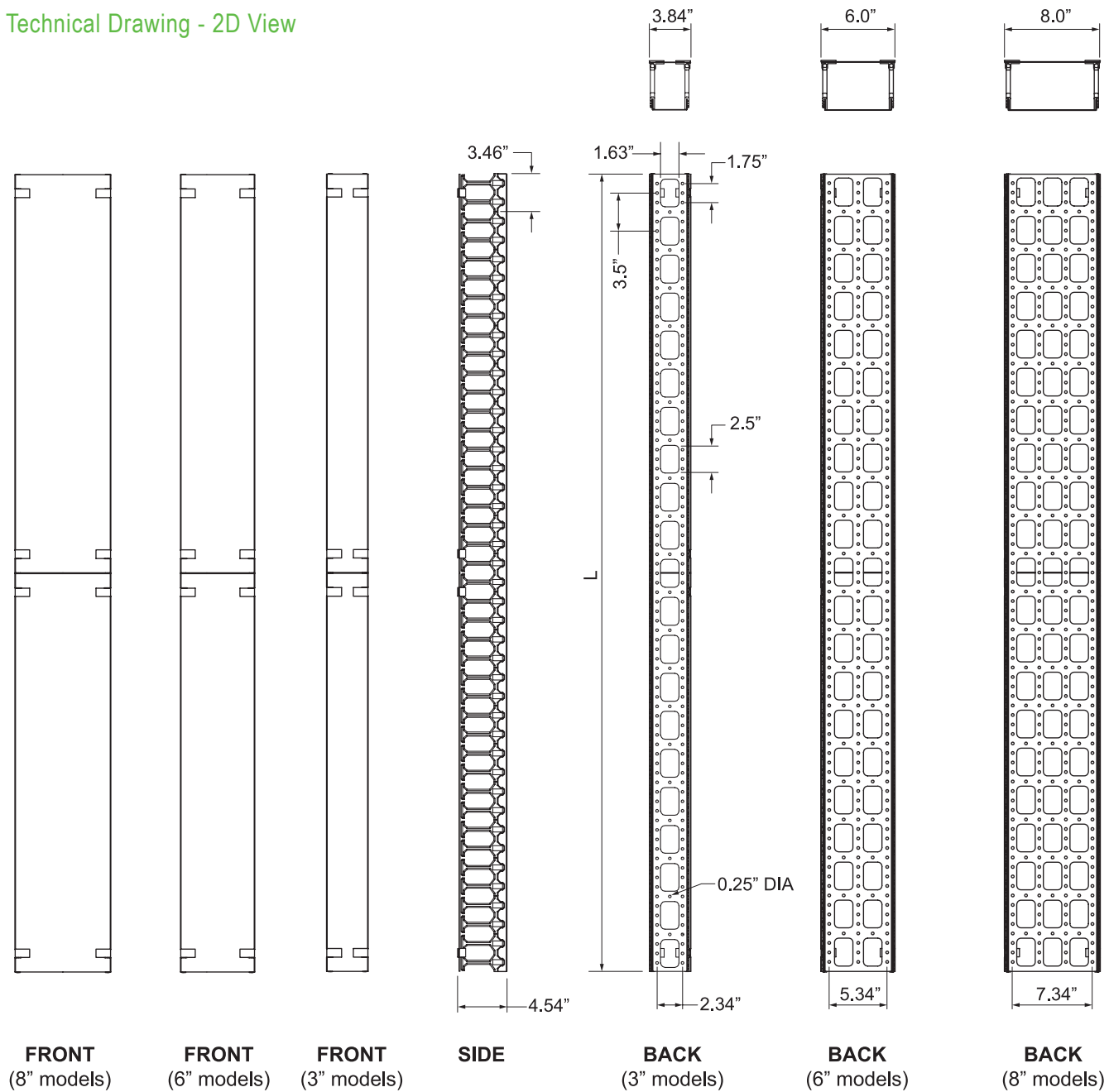
TECHNICAL SHEETS ARE SUBJECT TO CHANGE WITHOUT NOTICE.

REV.20200526.4



Vertical Finger Duct Cable Manager

Technical Drawing - 2D View



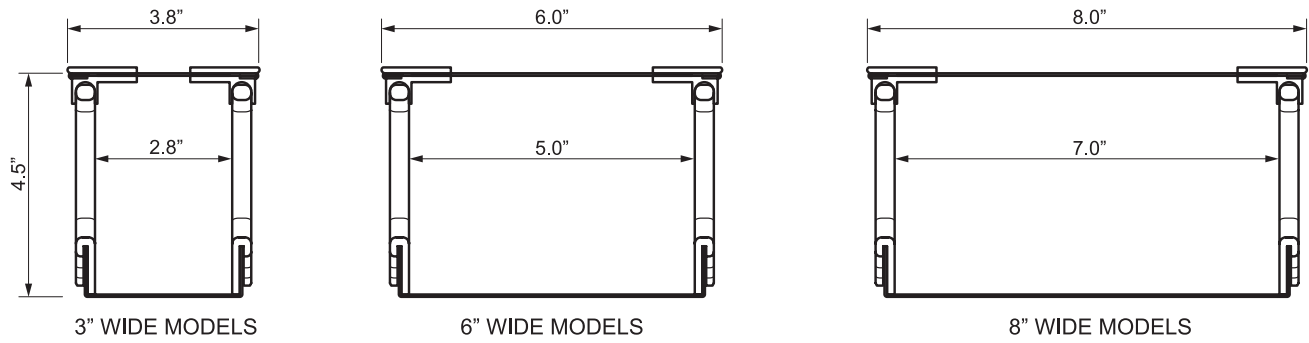
TECHNICAL SHEETS ARE SUBJECT TO CHANGE WITHOUT NOTICE.

REV.20200526.4

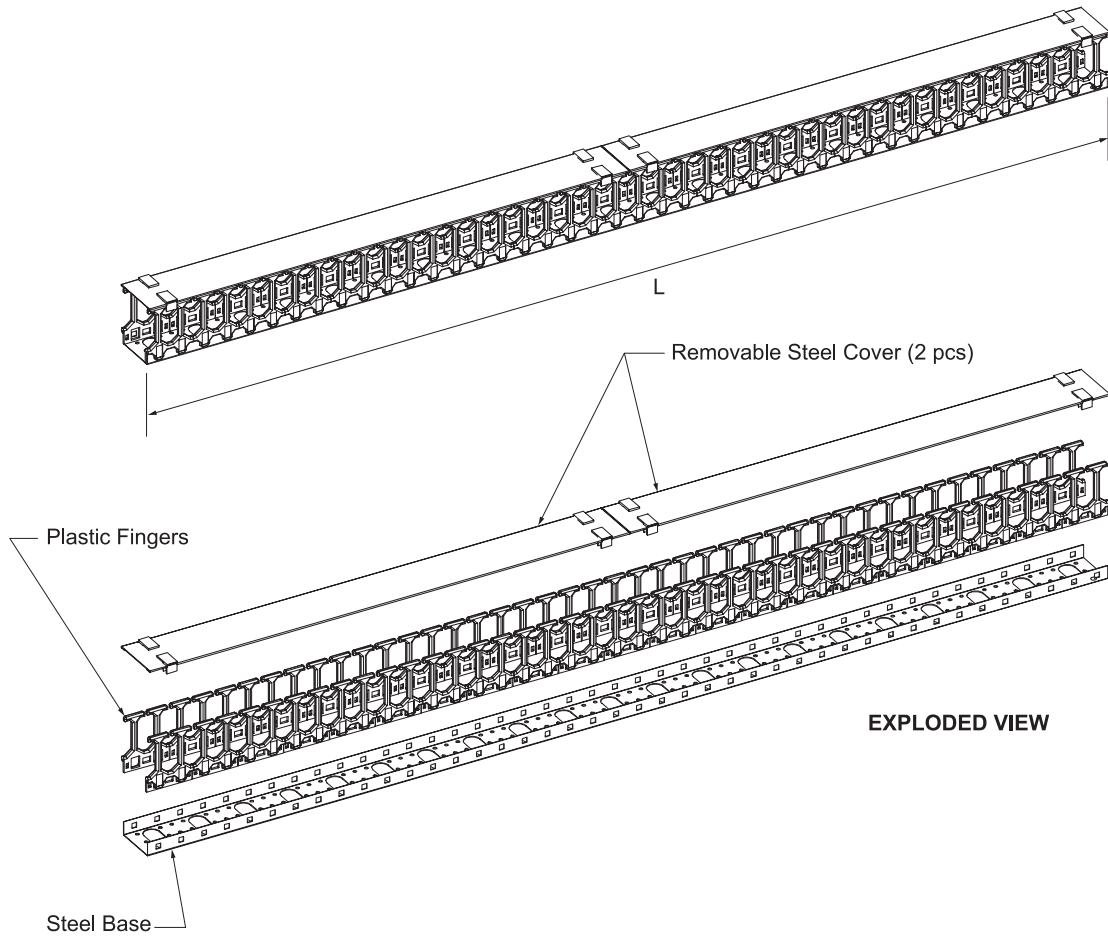


Vertical Finger Duct Cable Manager

Technical Drawing- 2D Top View



Technical Drawing- 3D View



TECHNICAL SHEETS ARE SUBJECT TO CHANGE WITHOUT NOTICE.

REV.20200526.4



Vertical Finger Duct Cable Manager

Product In-Use Views 1 & 2



TECHNICAL SHEETS ARE SUBJECT TO CHANGE WITHOUT NOTICE.

REV.20200526.4