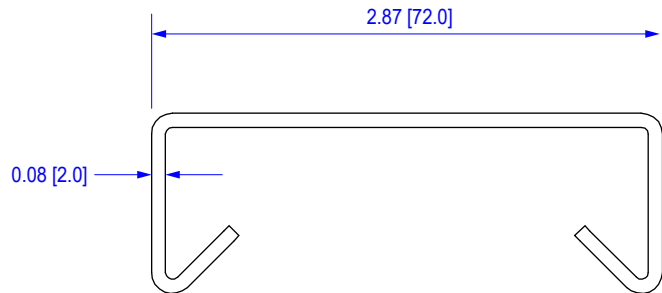
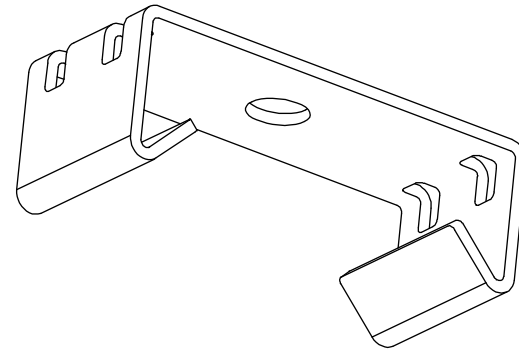
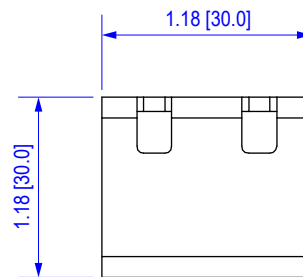


TOP VIEW



FRONT VIEW



SIDE VIEW

All dimensions in inches [mm]

ITEM NO.	VBT-HB-BP	VERICOM®			
DESCRIPTION	HANGING BRACKET				
DATE	09/22/2020	SCALE	none	SHEET	1 of 1
				REV	