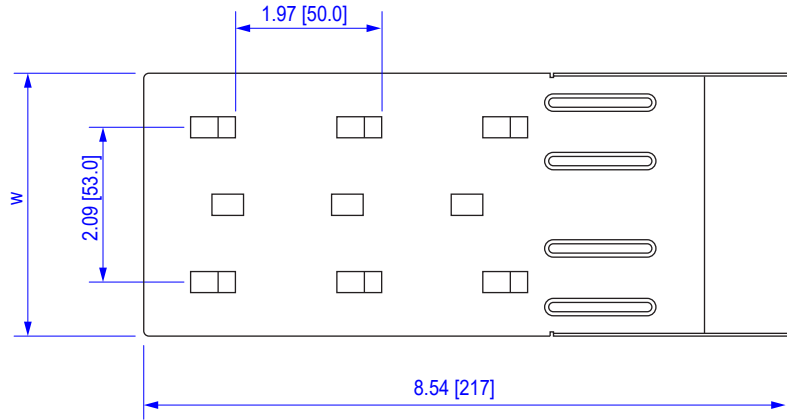
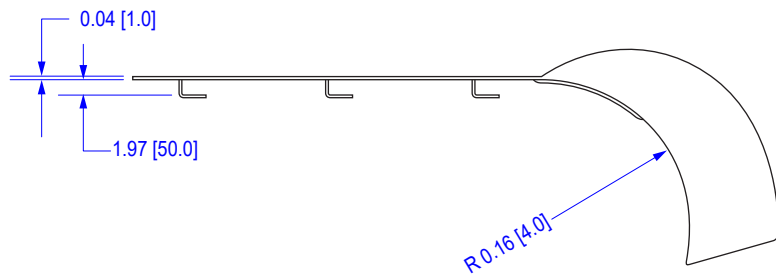


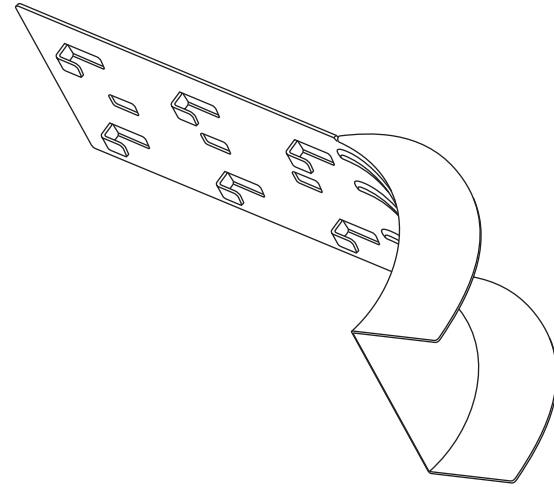
ITEM	WIDTH
VBT-CD045-BP	1.77" [45mm]
VBT-CD090-BP	3.54" [90mm]



TOP VIEW



SIDE VIEW



All dimensions in inches [mm]

ITEM NO.	VBT-CDxx-BP	VERICOM			
DESCRIPTION	CABLE DROP				
DATE	09/22/2020	SCALE	none	SHEET	1 of 1
				REV	