



RG6 Dual Shield Twist On Connector



Features & Benefits

- Easy twist on installation to any dual-shield RG6 coaxial cable
- High performance F-type connector capable of a bandwidth of up to 3 GHz
- Bulk packaged in bags of 100

Construction

Material:

- (1) Nut: Nickel Plated Zinc Alloy
- (2) Body: Nickel Plated Zinc Alloy

Connector Type: F-type Twist-On for Dual Shield RG6

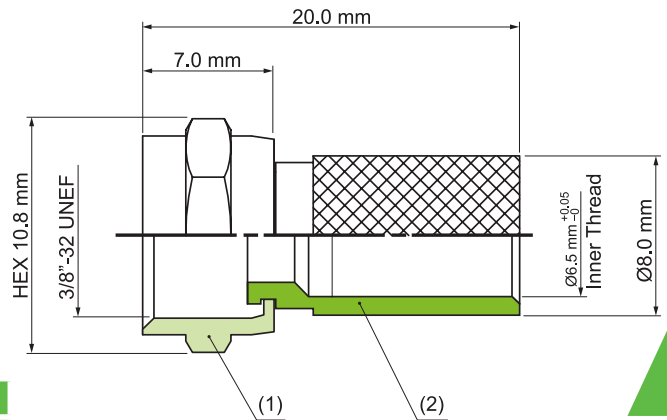
Electrical

Impedance: 75Ω

Environmental Conditions

Operating Temperature: -40 °F to 140 °F (-10 °C to 60 °C)

Technical Illustration



Applications

The Vericom RG6 dual shield twist on connector is an economical solution for terminating RG6 coaxial cable. This connector is commonly used for antenna, cable television and satellite television installations.

Description / Specifications

This 75 Ohm RG6 dual shield twist on connector is made from nickel plated zinc alloy to provide durability.

Ordering Information

Description	
F-Type Twist-On Connector for Dual Shield Coaxial Cable	
Item No.	Packaging
WTW6D-03445	Bulk (100 Per Bag)