



RG6/59 50 Ohm BNC Hex Crimp Connector Kit



Features & Benefits

- High performance 50 Ohm BNC hex crimp connector kit complete with 2 ferrules - one specific to RG59 and one for RG6 cable connections
- Works with any standard hex crimping tool
- Capable of high-frequencies up to 3 GHz
- Sold as a 3 Piece Kit for convenience

Construction

(See Technical Illustration On Pg. 2 For The Below Corresponding Numbers)

- (1) **Inner Conductor Material:** Nickel Plated Phosphor Bronze
- (2) **O Ring Material:** Silicon
- (3) **Washer 2 Material:** Nickel Plated Brass
- (4) **Washer 1 Material:** Nickel Plated Iron
- (5) **O Ring Material:** Silicon
- (6) **Pin Material:** Gold Plated Brass
- (7) **Insulator Material:** Acrylonitrile butadiene styrene (ABS)
- (8) **Body Material:** Nickel Plated Brass
- (9) **Shell Material:** Nickel Plated Zinc Alloy
- (10) **Ferrule Material:** Nickel Plated Zinc Alloy

Electrical

Impedance: 50Ω

Related Products

To ensure a proper connection, pair Vericom's *WBNCX-03712* with the following:



Applications

The Vericom RG6/59 50 Ohm BNC Hex crimp connector kit is an economical solution for terminating either RG59 or RG6 cable for CATV, DSS, security, home theater and residential structured wiring installations.

Description / Specifications

This kit includes a nickel plated BNC hex crimp connector, and two nickel plated zinc alloy ferrules - one for RG59 and one specific to RG6, allowing for easy installation on either size coaxial cable. This high performance RG6/59 50 Ohm BNC Hex crimp connector kit is capable of high frequencies up to 3 GHz.

Ordering Information

Description	
RG6/59 50 Ohm BNC Hex Crimp Kit	
Item No.	Packaging
WBNCX-03712	3 pc. Kit

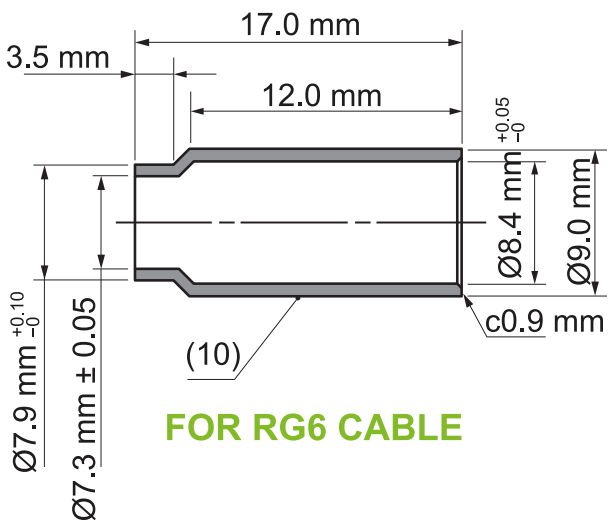
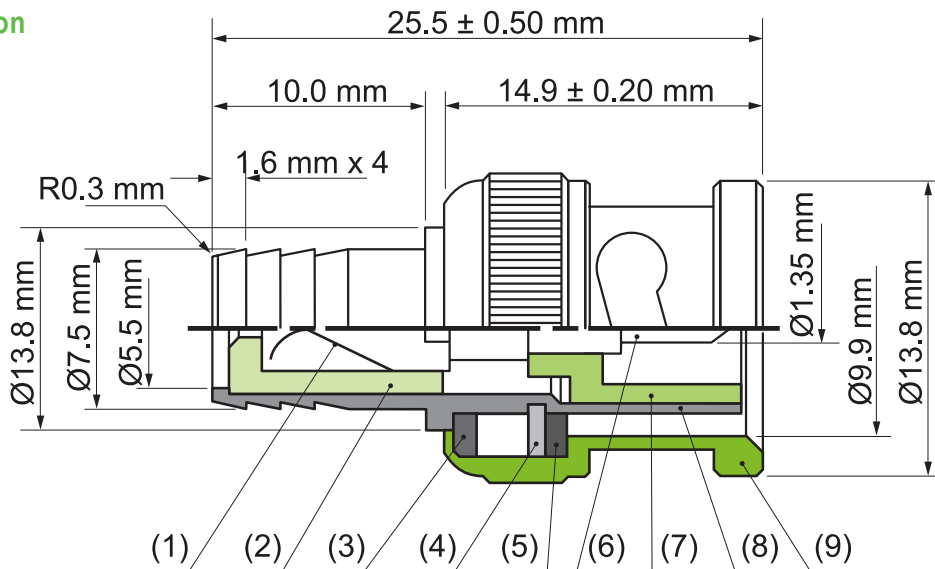
TECHNICAL SHEETS ARE SUBJECT TO CHANGE WITHOUT NOTICE.

REV.20200918.2

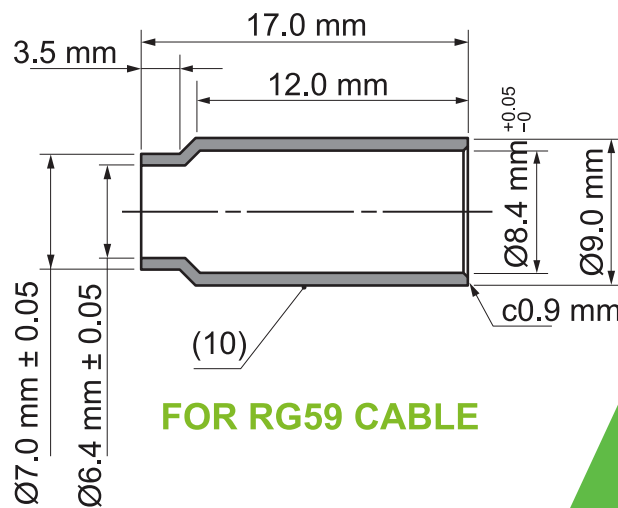


RG6/59 50 Ohm BNC Hex Crimp Connector Kit

Technical Illustration



FOR RG6 CABLE



FOR RG59 CABLE

TECHNICAL SHEETS ARE SUBJECT TO CHANGE WITHOUT NOTICE.