



Midsize Single Gang F-81 Faceplates



Applications

These versatile midsize single gang F-81 faceplates offer connectivity for most satellite, cable, and CCTV applications requiring a single gang size and are ideal for situations requiring a midsize faceplate with a flush mount.

Ordering Information

TYPE	LIGHT ALMOND	IVORY	WHITE
Single F-81, Midsize Single Gang	XFPMP-04159	XFPMP-04154	XFPMP-04149
Dual F-81, Midsize Single Gang	XFPMP-04160	XFPMP-04155	XFPMP-04150

Description / Specifications

Vericom midsize F-81 faceplates are molded out of proprietary impact resistant plastic and are designed to provide quick connection and support for a single or dual F-81 coaxial cable connection. These midsize faceplates come complete with mounting screws.

Features & Benefits

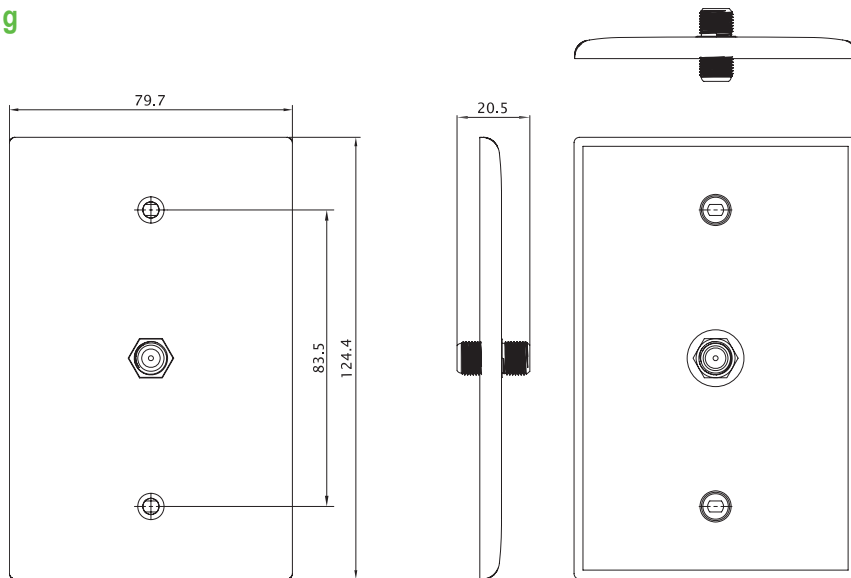
- Pre-installed single or dual F-81 connectors
- Midsize faceplates hide irregular drywall cuts or flaws around outlets
- Flush mounting for an aesthetic look
- Includes screws for mounting
- Available in White, Ivory or Light Almond



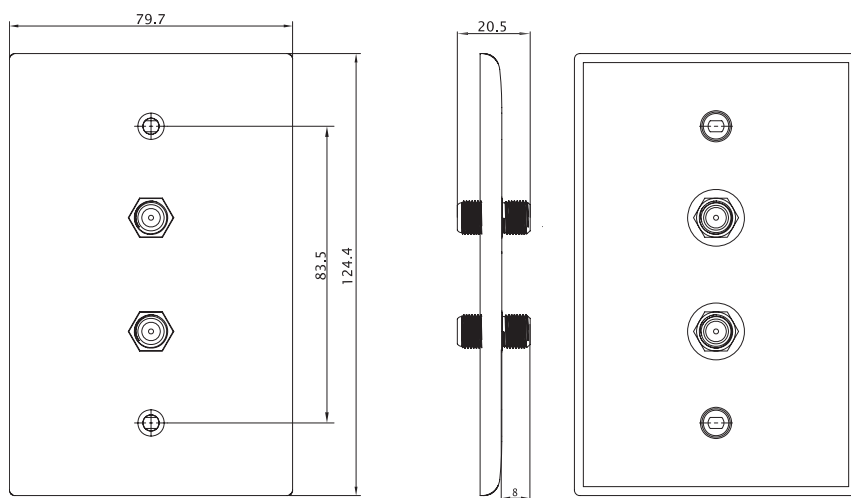
Midsize Single Gang F-81 Faceplates

Technical Drawing

Single F-81



Dual F-81



Physical Specifications

# of Ports	1 Port	2 Port
Dimensions	124.4*79.7*25.3 mm	
Material	High Impact, Fire retardant ABS plastic rated UL94V-0	
Mounting	Screws (Included)	
Color	White, Ivory, or Light Almond (see ordering information)	

TECHNICAL SHEETS ARE SUBJECT TO CHANGE WITHOUT NOTICE.

REV.20210203.2